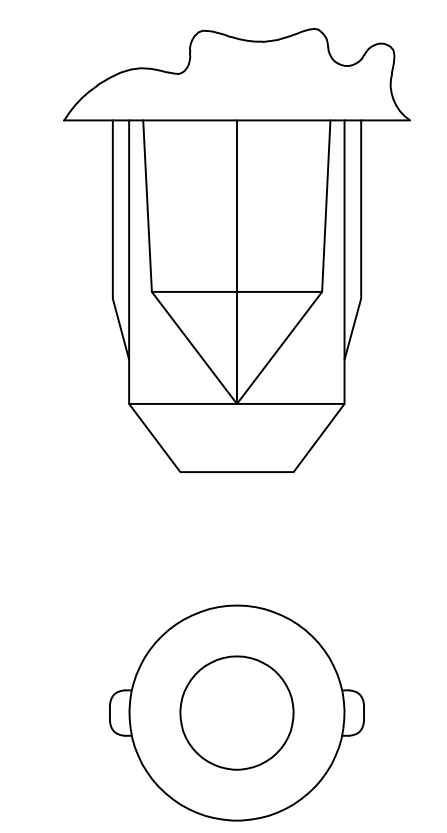
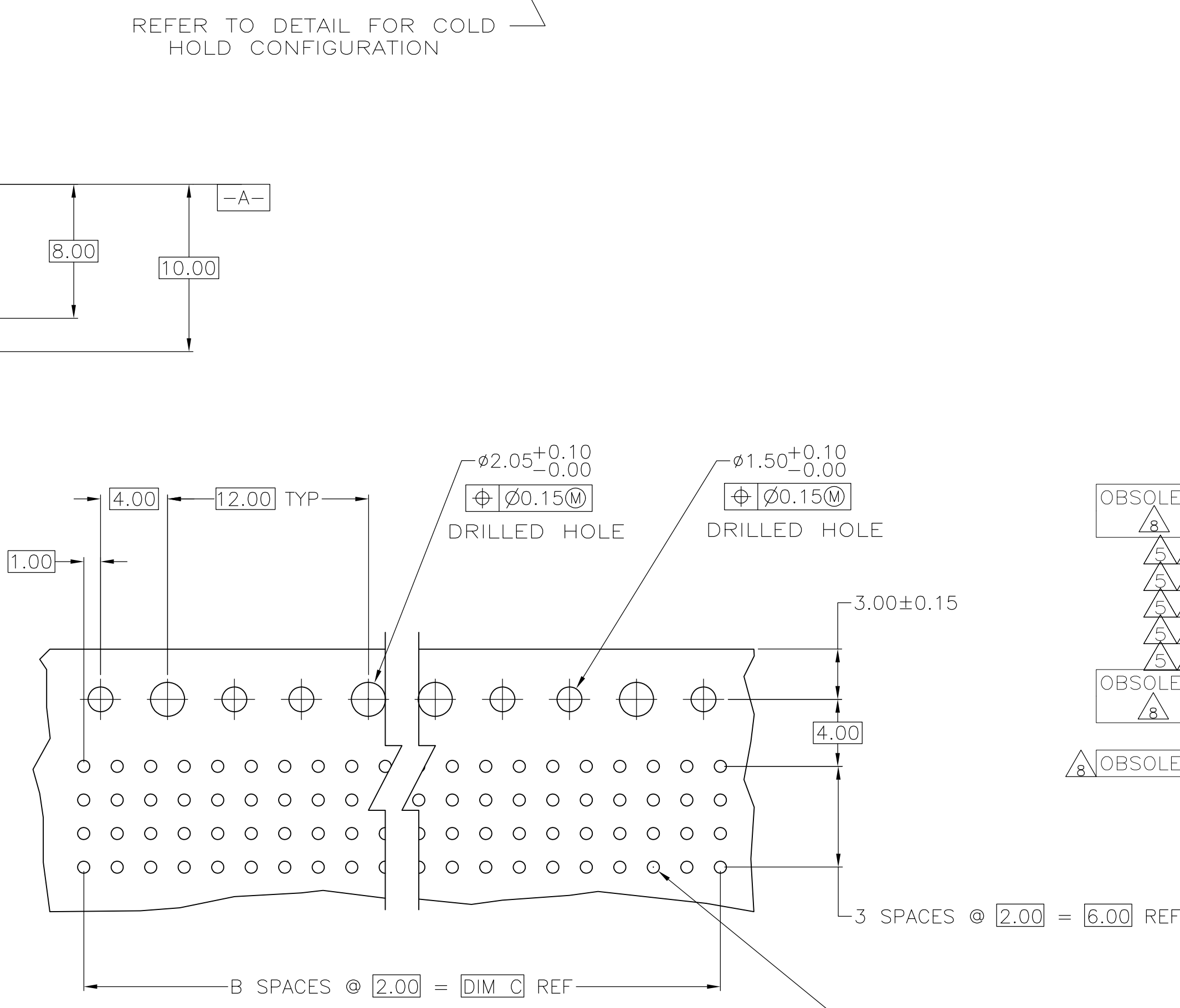
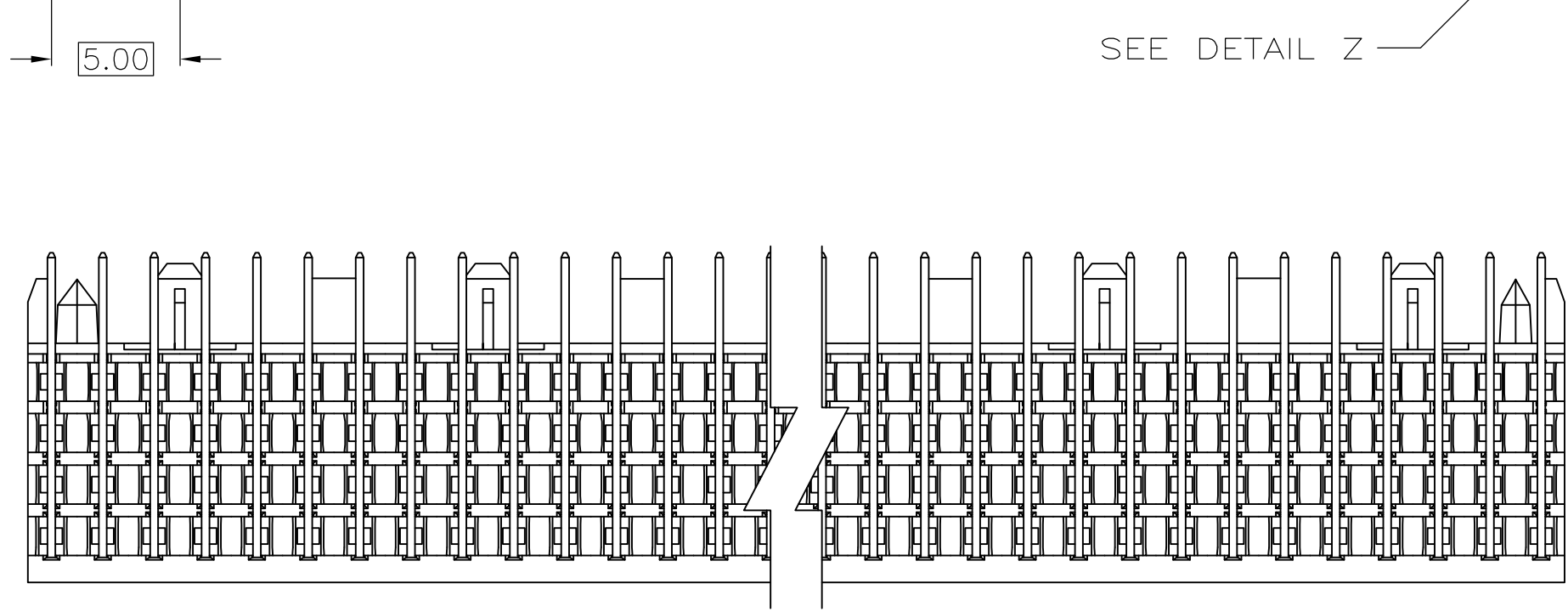
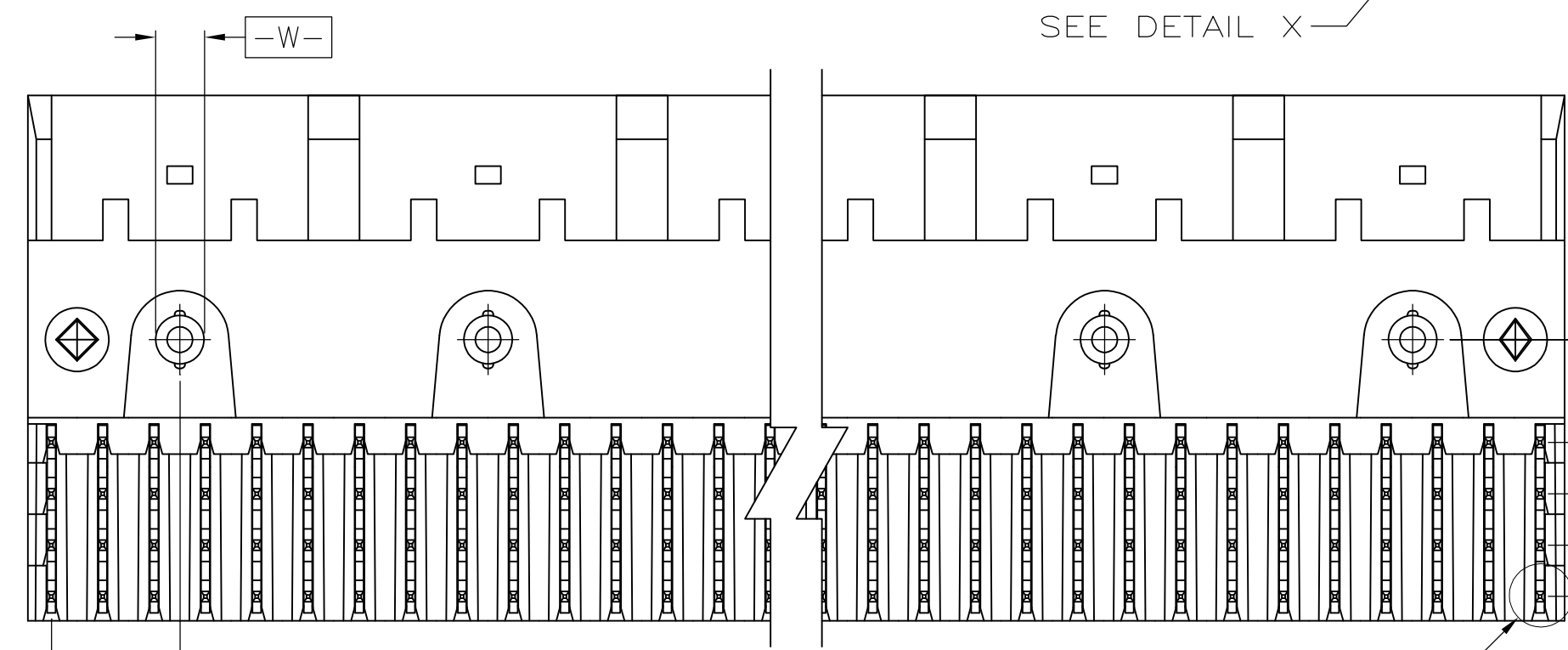
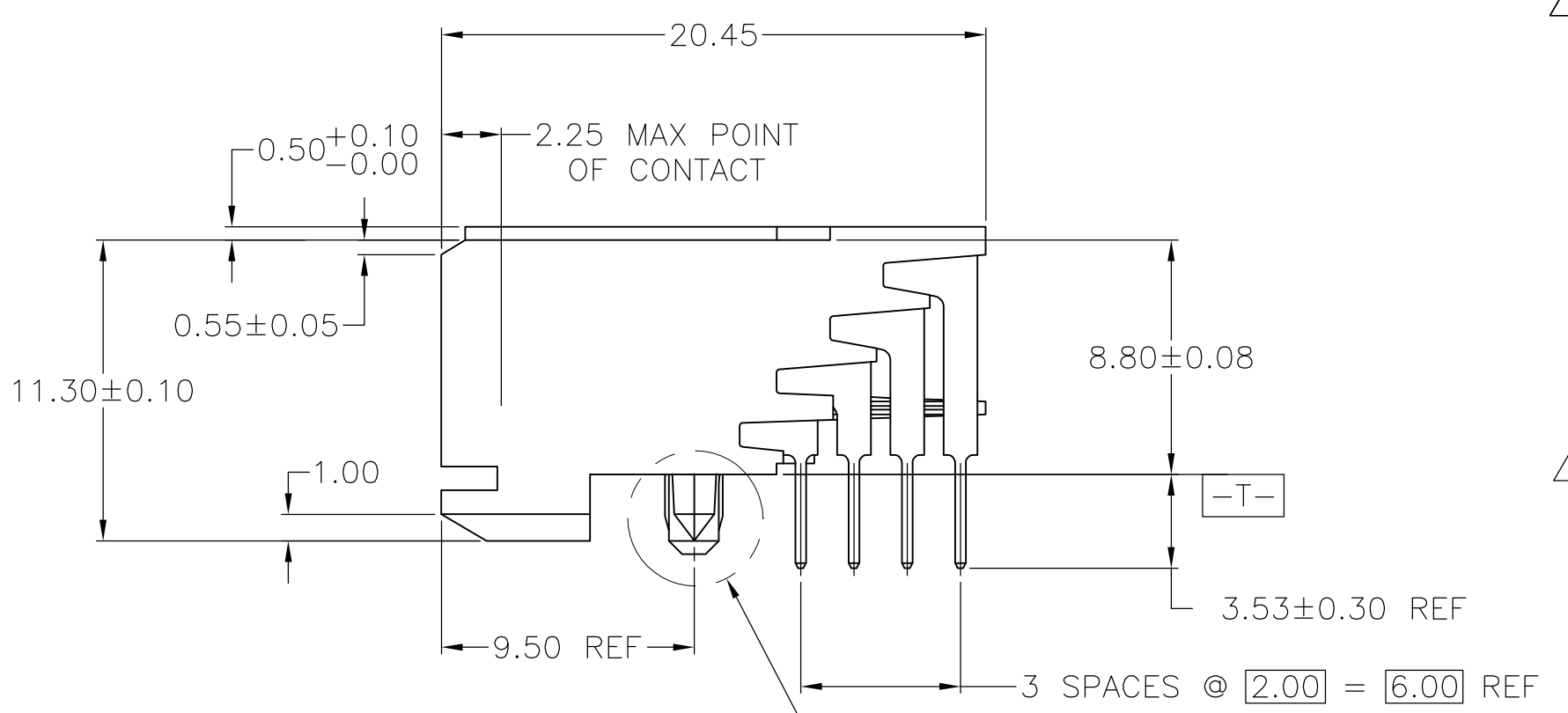
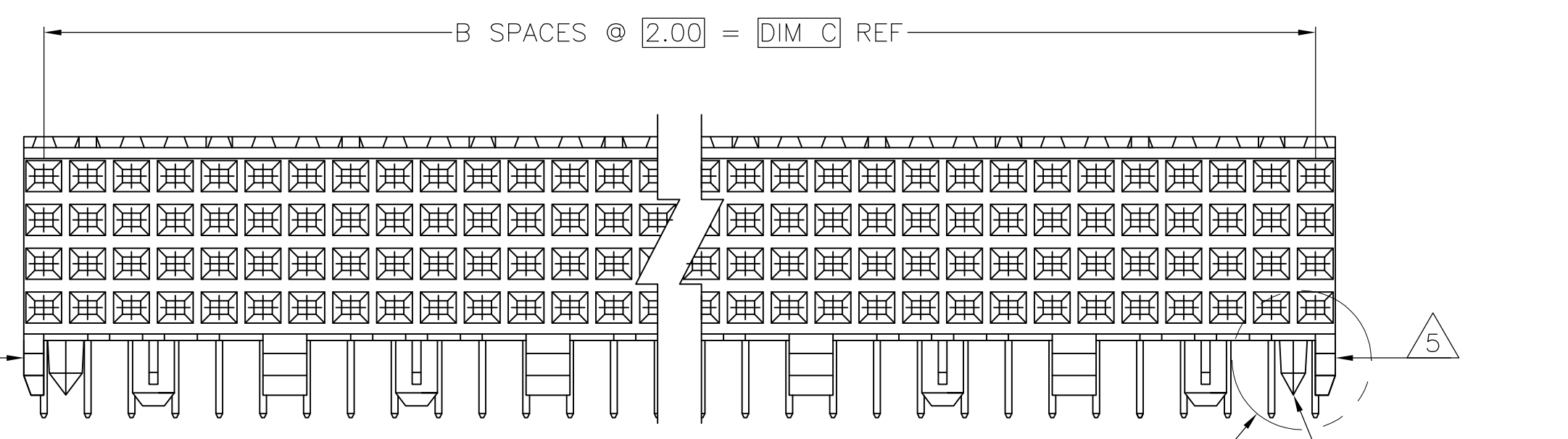


- ① HOUSING MATERIAL: LIQUID CRYSTAL POLYMER.
COLOR: NATURAL.
- ② CONTACT MATERIAL: PHOSPHOR-BRONZE.
- ③ CONTACT FINISH:
UNDERPLATE (ENTIRE CONTACT) -
0.00127 MIN NICKEL PER SAE-AMS-QQ-N-290.
ON MATING SURFACES-
CONFORMS TO ALL TESTING SPECIFIED FOR TELCORDIA
UNCONTROLLED ENVIRONMENT
ON LEADS-
0.00381 MIN TIN PER ASTM B 545, OVER UNDERPLATE
LUBRICATION (MIN MATING SURFACES):
SURFACE CONDITIONER AFTER PLATING.
- ④ PART MARKING, LOCATED APPROXIMATELY AS SHOWN.
- ⑤ CUSTOMIZED PART, HOUSING MOLDED WITHOUT END GUIDE LUGS.
- ⑥ OBSOLETE PART NUMBER.
- ⑦ CONTACT FINISH:
UNDERPLATE (ENTIRE CONTACT) -
0.00127 MIN NICKEL PER SAE-AMS-QQ-N-290.
ON MATING SURFACES-
CONFORMS TO ALL TESTING SPECIFIED FOR TELCORDIA
UNCONTROLLED ENVIRONMENT
ON LEADS-
FLASH GOLD PER ASTM B 488, OVER UNDERPLATE
LUBRICATION (MIN MATING SURFACES):
SURFACE CONDITIONER AFTER PLATING.
- ⑧ OBSOLETE PARTS: OBSOLETE CIS STREAMLINING PER
D.RENAUD/D.SINISI



	NO	70	35	71.88	⑦	⑦	144	2-5536510-8
	NO	94	47	95.88	⑦	⑦	192	2-5536510-7
	NO	46	23	47.88	⑦	⑦	96	2-5536510-6
	NO	22	11	23.88	⑦	⑦	48	2-5536510-5
⑧ OBSOLETE	YES	94	47	95.88	③	③	192	-2-5536510-4
	YES	46	23	47.88	③	③	96	-2-5536510-3
⑤ ⑥	NO	34	17	35.88	③	③	72	1-5536510-5
⑤ ⑥	NO	22	11	23.88	③	③	48	1-5536510-4
⑤ ⑥	NO	94	47	95.88	③	③	192	1-5536510-3
⑤ ⑥	NO	106	53	107.88	③	③	216	1-5536510-2
⑤ ⑥	NO	70	35	71.88	③	③	144	1-5536510-1
⑧ OBSOLETE	NO	130	65	131.88	③	③	264	-1-5536510-0
⑧ OBSOLETE	NO	106	53	107.88	③	③	216	-5536510-9
	NO	118	59	119.88	③	③	240	5536510-8
	NO	82	41	83.88	③	③	168	-5536510-7
	NO	58	29	59.88	③	③	120	5536510-6
	NO	70	35	71.88	③	③	144	5536510-5
	NO	94	47	95.88	③	③	192	5536510-4
	NO	46	23	47.88	③	③	96	5536510-3
	NO	22	11	23.88	③	③	48	5536510-2
	YES	10	5	11.88	③	③	24	5536510-1
	POSITIONING PEGS	C	B	A	FINISH	NO OF POSN	PART NUMBER	

THIS DRAWING IS A CONTROLLED DOCUMENT.

DIMENSIONS: mm	TOLERANCES UNLESS OTHERWISE SPECIFIED:	DIN B1 MCMASTER 31AUG04	31AUG04	APVD R WERTZ 31AUG04	NAME
0 PLC ± -	1 PLC ± .13	2 PLC ± .13	3 PLC ± .13	4 PLC ± -	RECEPTACLE ASSEMBLY, SIGNAL MODULE, Z-PACK 2mm FB,4 ROW, 3.53mm LEAD LENGTH
ANGLES ± -		APPLICATION SPEC		SIZE	CAGE CODE
		WEIGHT		A1	00779
				SCALE	4:1
				SHEET	1 of 1
				REV	A4

CUSTOMER DRAWING